

ChemTite™ BUTTERFLY VALVES

PTFE / PFA Lined for Severe Duty



**Bubble-Tight
GUARANTEED!**

FEATURES

- Bubble-Tight Design
- Size Range: 2" to 12"
- Pressure Rating: Full Vacuum to 150 psi (10.34 bar)
- Operating Temperature: (-)20°F to (+)400°F
- One piece disc & stem
- Mounting Flange is ISO 5211 compliant
- Two Seat Options: PTFE or UHMWPE
- Heavy duty PTFE/PFA Liner resists cracking
- Five Disc Options:
 - PFA / 316 S.S. (Standard)
 - 316 S.S.
 - Hastelloy® C276
 - Titanium Gr. C-2
 - UHMWPE / CD4MCu S.S.
- Resistant To:
 - all acids
 - all solvents
 - all bleach solutions
 - all phenols
 - all caustics
 - all peroxides
 - all organic and inorganic chlorides & sulfates

THE ORIGINAL IN THE USA

Since 1931, Hills-McCanna® has earned a reputation for innovative products that serve demanding applications better than before. Today the Hills-McCanna legacy continues with the ChemTite™ series. ChemTite products are built with American quality for peace of mind and dependability in tough chemical applications.



Phone: (616)554-3900
Fax: (616)554-9308

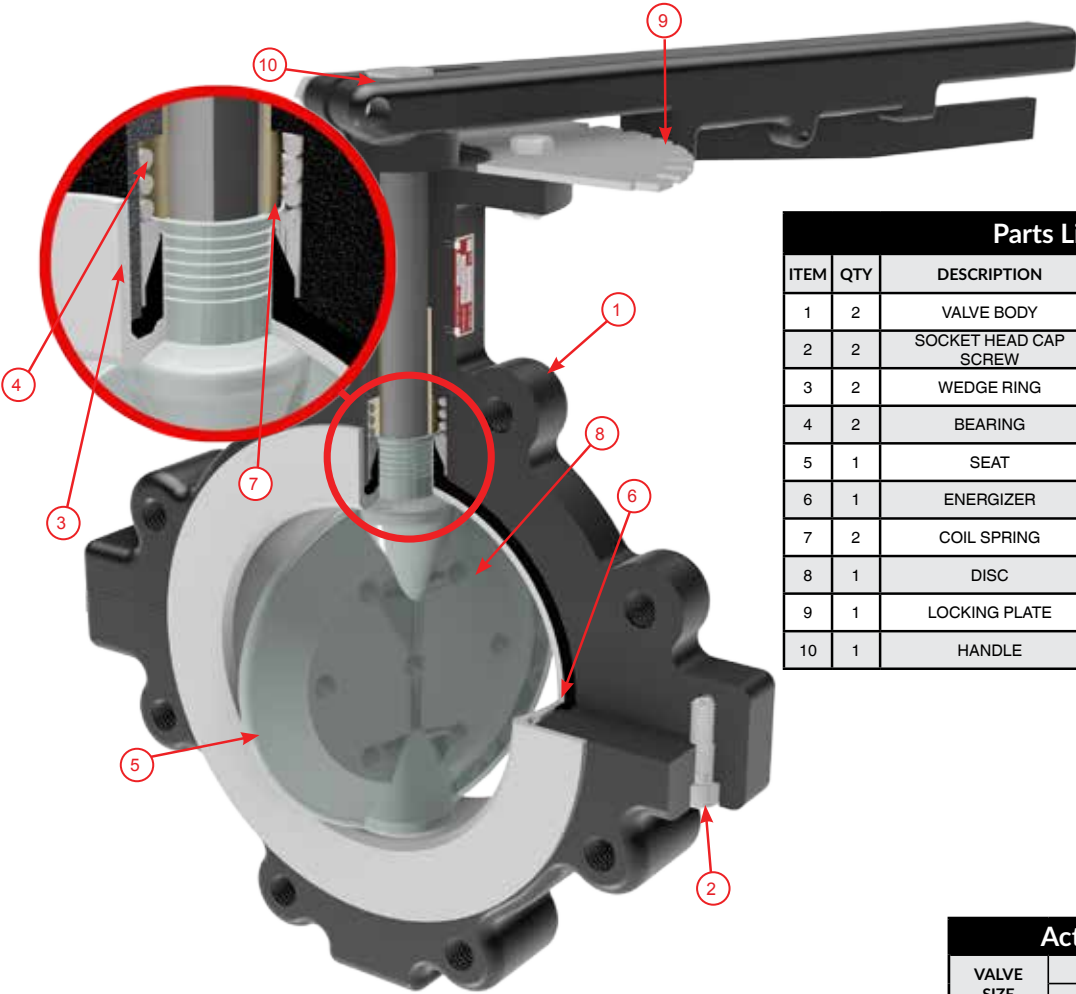
Hills-McCanna
an ANDRONACO INDUSTRIES company


Made in the USA

ChemTite™ BUTTERFLY VALVES

PTFE / PFA Lined for Severe Duty

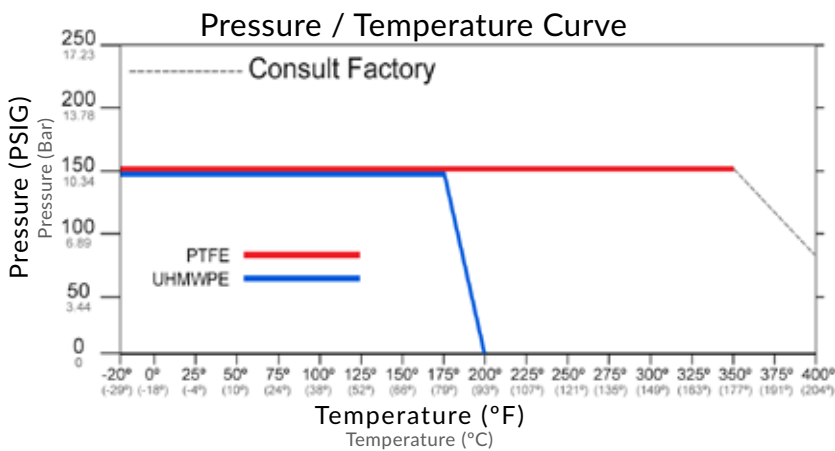
ChemTite™
BUBBLE-TIGHT GUARANTEE!



Parts List			
ITEM	QTY	DESCRIPTION	MATERIAL
1	2	VALVE BODY	ASTM A395 DCI
2	2	SOCKET HEAD CAP SCREW	ASTM A193, YELLOW ZINC PLATED GR.B7
3	2	WEDGE RING	304 S.S.
4	2	BEARING	PTFE / COMPOSITE
5	1	SEAT	PTFE / UHMWPE / CD4MCu Enc.
6	1	ENERGIZER	SILICONE/VITON
7	2	COIL SPRING	304 S.S.
8	1	DISC	304 S.S. ENCAPSULATED: PFA / UHMWPE / NONE
9	1	LOCKING PLATE	304 S.S.
10	1	HANDLE	ASTM A395 DCI

Actuator Sizing		
VALVE SIZE	TORQUES @ MAX. DIFF. PSI	
	PFA	UHMWPE
2"	275 in.-lbs.	405 in.-lbs.
3"	325 in.-lbs.	463 in.-lbs.
4"	570 in.-lbs.	771 in.-lbs.
6"	1250 in.-lbs.	3660 in.-lbs.
8"	1660 in.-lbs.	4116 in.-lbs.
10"	3270 in.-lbs.	6315 in.-lbs.
12"	4175 in.-lbs.	8102 in.-lbs.

Cv Data	
VALVE SIZE	FULL OPEN Cv
2"	112
3"	334
4"	570
6"	1415
8"	3110
10"	5223
12"	7944



4855 Broadmoor Ave
 Kentwood, Michigan 49512
 www.hills-mccanna.com



Phone: (616)554-3900
 Fax: (616)554-9308

Hills-McCanna®
 an ANDRONACO INDUSTRIES company