

ChemTite™ BULL'S EYE SIGHT FLOW INDICATOR

PFA Lined for Severe Duty



**Bubble-Tight
GUARANTEED!**

FEATURES

- Bubble-Tight Design
- Size Range: 1" to 6"
- Pressure Rating: 150psi (10.34 bar)
- Operating Temperature: (-)20°F to (+)400°F
- Viewing Range: 150% more than competitors'
- Rugged Ductile iron housing
- Integral Drip Lip
- Dovetail Locking Grooves for PFA retention
- Heavy Duty PFA Liner resists cracking
- Resistant To:
 - all acids
 - all solvents
 - all bleach solutions
 - all phenols
 - all caustics
 - all peroxides
 - all organic and inorganic chlorides & sulfates

THE ORIGINAL IN THE USA

Since 1931, Hills-McCanna® has earned a reputation for innovative products that serve demanding applications better than before. Today the Hills-McCanna legacy continues with the ChemTite™ series. ChemTite products are built with American quality for peace of mind and dependability in tough chemical applications.



Made in the USA

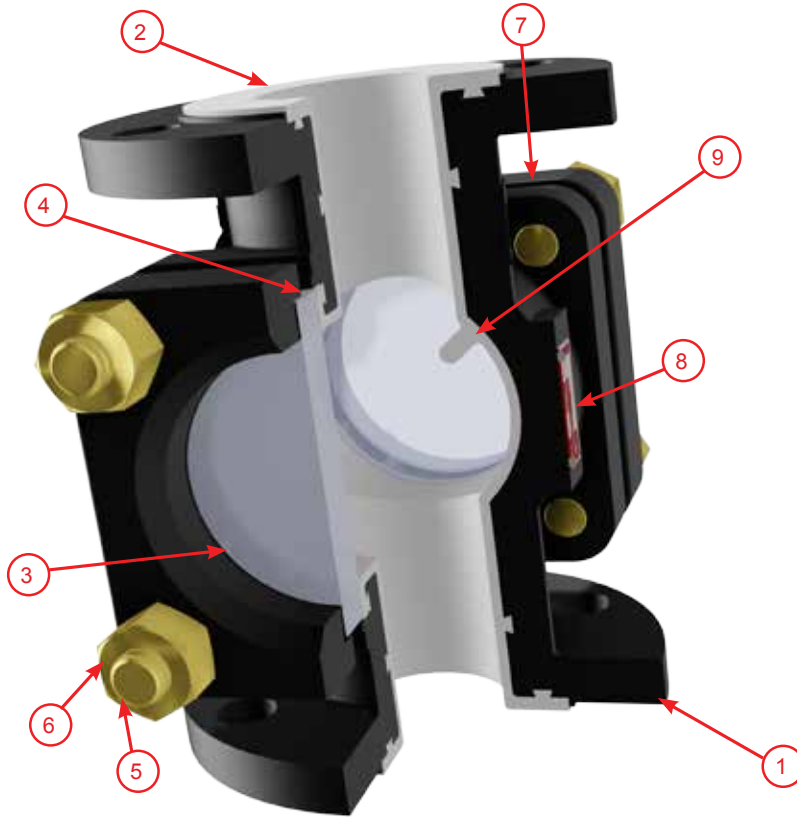


Phone: (616)554-3900
Fax: (616)554-9308

Hills-McCanna®
an ANDRONACO INDUSTRIES company

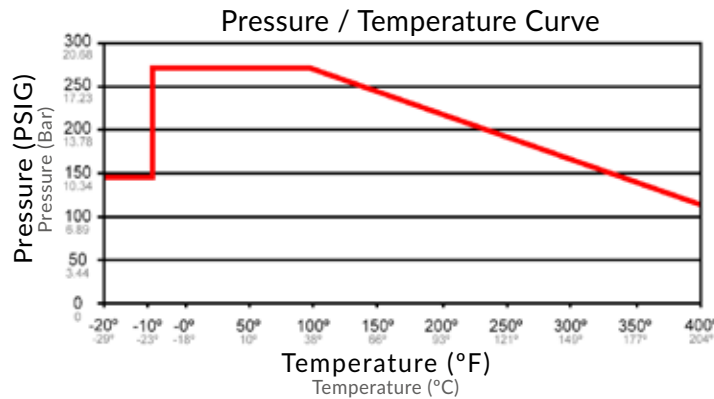
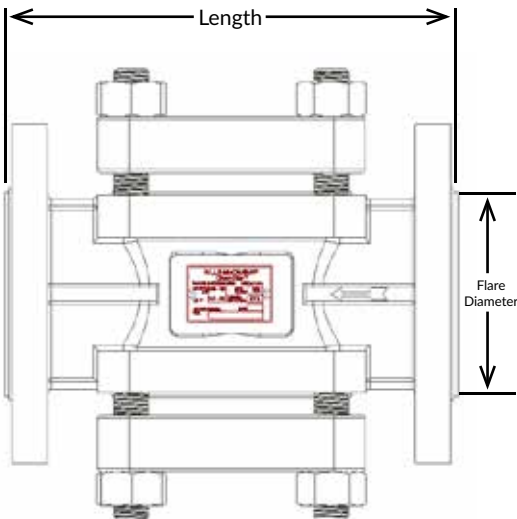
ChemTite™ BULL'S EYE SIGHT FLOW INDICATORS

PFA Lined for Severe Duty



Sizes		
SIZE	LENGTH	FLARE DIAMETER
1"	6"	2"
1½"	7"	2½"
2"	8"	3 ½"
3"	9 ½"	5 ½"
4"	11 ½"	6-5/16"
6"	11 ½"	6-5/16"

Parts List		
ITEM	DESCRIPTION	ASTM / MATERIAL
1	BODY	DUCTILE IRON ASTM A395
2	LINING	VIRGIN PFA
3	GLASS	BOROSILICATE - OPTION W/CLEAR FEP
4	GASKET	ASBESTOS FREE - COMPRESSED SHEET
5	STUD FASTENER	ZINC PLATED ASTM A193 GR. B7
6	HEXAGON NUT	ZINC PLATED ASTM A194 GR. 2H
7	GLASS RETAINER PLATE	DUCTILE IRON ASTM A395
8	NAME PLATE	304 STAINLESS STEEL
9	DRIP LIP	VIRGIN PFA



4855 Broadmoor Ave
Kentwood, Michigan 49512
www.hills-mccanna.com



Phone: (616)554-3900
Fax: (616)554-9308

Hills-McCanna
an ANDRONACO INDUSTRIES company

ChemTite™
BUBBLE-TIGHT GUARANTEE!